



A Green Facility  
timbernest.com  
800-865-6378




MADE IN THE USA

# Longwood University Students

## **SAVE SPACE** in your room with a TimberNest Loft Bed

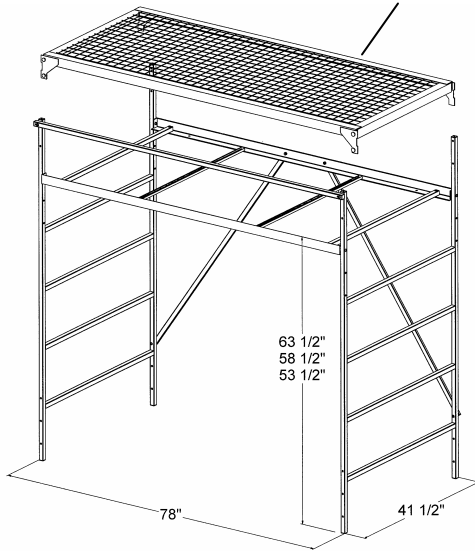
Sponsored by:

**LONGWOOD**  
UNIVERSITY  
Residential & Commuter Life

### TimberNest "Iron-Nest" Model TN1071

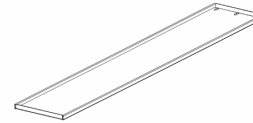
- **Lease for \$159** ('11-'12 school year)
- **Purchase for \$249** (previously leased, reconditioned)
- Convenient assembly/disassembly (8 parts, 14 nuts/bolts, instructions, wrench provided) Allow 1 hour
- Safety rail included
- Rigid and SAFE
- Built in laddered ends
- 3 height settings
- Durable steel with metallic finish

Similar steel bed spring (& mattress) is provided by Longwood University. (Removable bed-ends not shown)



### Add a **Pillow Shelf** Model TN220

- **Lease for \$16** ('11-'12 school year)
- **Purchase for \$21** (previously leased, reconditioned)
- A shelf that can be mounted at the pillow end of the loft bed
- Folded up edge helps keep items from falling
- Useful for alarm clocks, lamps, books, etc.



Pricing includes delivery to your room. Assembly is also available at additional cost- see online for details

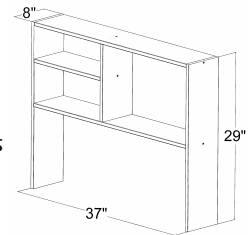
### **Desk Hutch** Model TN2191

**\$50** purchase - (no lease)

- Organize your desk
- Fits on desk, under loft bed\*\*
- Solid Pine, smooth, clear coated
- Quality made by TimberNest
- Convenient assembly\*; dowel joints

\* (Allen wrench provided)

\*\* (May not fit under loft beds by others)



#### **How to order:**

Visit [www.timbernest.com](http://www.timbernest.com) and click on link for "College Accounts". Select **Longwood University** and enter code **LS62**. (order products, view a sample lease agreement, FAQ's and more.) Order by **Monday, August 8, 2011** to ensure delivery.

#### **When/Where** to pick-up on move-in day:

Your product(s) will be delivered to your assigned main campus residence hall room by **Wednesday, August 17, 2011**. TimberNest offers in room loft assembly prior to your arrival for an additional \$20.00. Order online.

#### **End of school-year** return-details: (your lease is for the entire school year - no midyear returns) (Disregard if purchasing.)

Your leased products must be returned to TimberNest on **Wednesday, April 25, 2012** from 10:00am - 3:00pm behind the Lankford Student Union. (Note that this is **before exams** which start 4/30/12)

**PLEASE NOTE THESE LONGWOOD UNIVERSITY EXPECTATIONS:** All university provided furniture must stay in your room during the entire academic year. The components of the existing bed frame that will need to be stored are the (2) ends that "hook" onto the bed spring. These can be "popped" off and stored flat in your closet or other part of your room. When the loft bed is removed from your room at the end of the academic year, the 3-piece bed frame must be reassembled. The TN1071 Iron-Nest is provided with plastic caps that must remain inserted into the loft bed leg bottoms to protect the floor from being scratched. Any damage to university surfaces will be the financial responsibility of the student. **Loft beds are not permitted** in the Longwood-managed apartments.

**WARRANTY:** TimberNest will warranty the products through April 2012. During this time, TimberNest will send replacement parts free of charge if needed, however, charges will be applied for components replaced due to misuse.

**Cancellation and Return Policy:** The Customer/Cardholder must cancel the order over the phone by calling TimberNest and speaking with a customer service representative. NO voicemail or email cancellations will be accepted. If the cancelled order has been delivered, TimberNest will make arrangements to pick-up the products. No cancellations/returns are accepted after 8/18/11 at 3:00PM. All orders not cancelled/returned by this time are bound by the contract (if leasing).

**Refund Policy:** Orders cancelled on or before August 8, 2011 will receive a full refund. Orders cancelled from August 9, 2011 through 8/18/11 @ 3:00PM may be subject to a 10% product - relocation fee. Absolutely no refunds will be issued for orders not cancelled by 8/18/11 @ 3:00PM.